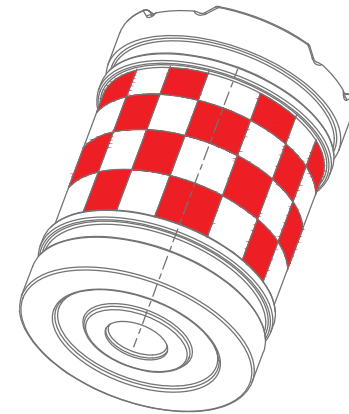
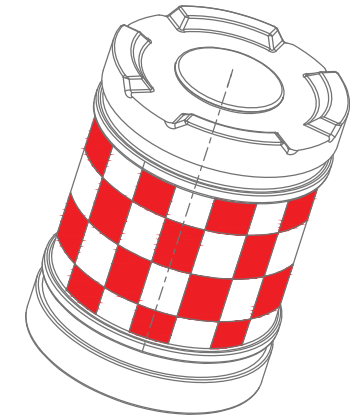
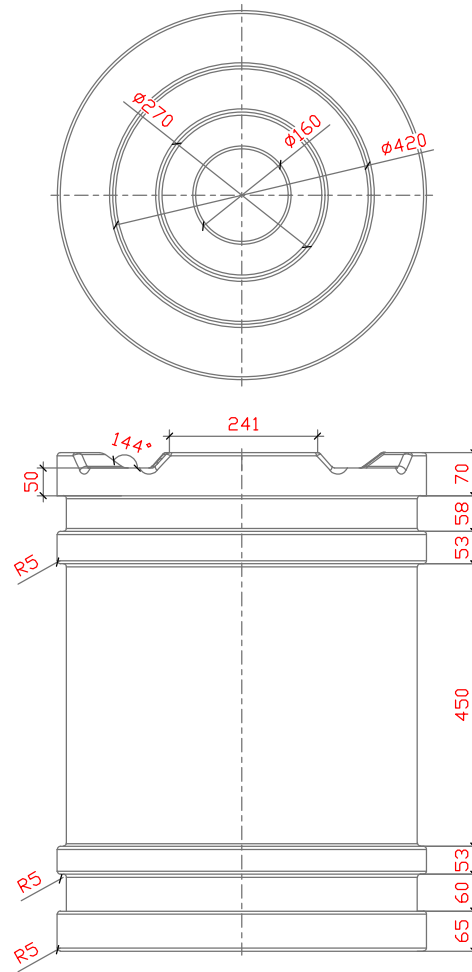
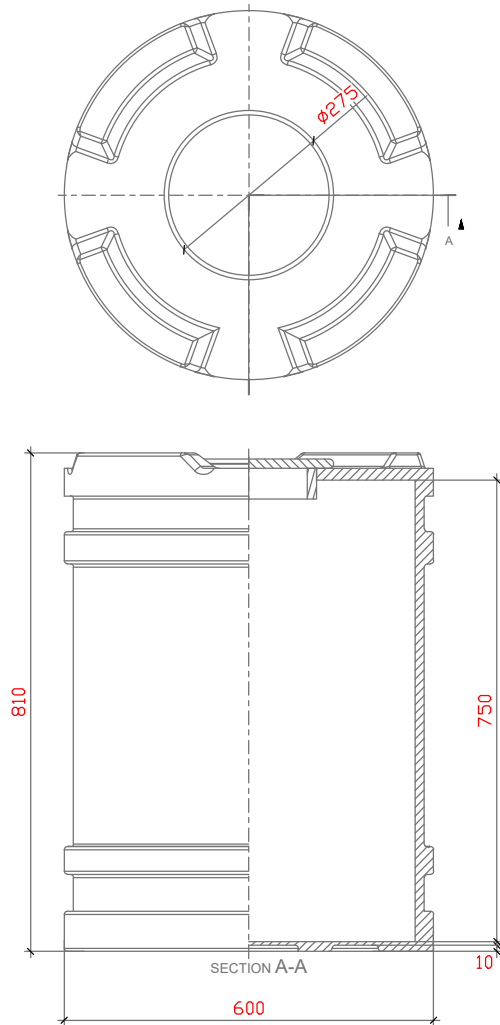


# THÙNG GIẢM CHẤN



1/10

LENGTH	H	M	L	MATERIAL	SCALE	FINISH	UNIT	CODE NO
0-50	±0.05	±0.1	±0.2	TeQ-Vina	1/10			
51-150	±0.1	±0.2	±0.4		APP			PART NAME
151-800	±0.2	±0.3	±0.4		CHK			MODEL NAME
TOLERANCE					DGN			

THÙNG GIẢM CHẤN